



## Gyro-Stabilized Platform

**SMS-P233**


### **Description:**

Stabilization is one of our specialties at Watson Industries. We have been involved with a large number of applications, from trains to cameras. The SMS is designed primarily for instrumentation: it stabilizes on the Bank (X) and Elevation (Y) axis so that the mounting arm with its payload will always stay level, regardless of the motions of the vehicle.



Our gyro-stabilized platforms are built around a rugged pan and tilt mechanism. This high resolution digital system uses the best wide bandwidth, low noise, solid-state gyros. The whole system is user configurable and can adapt to a wide range of payloads and requirements.

Watson Industries also provides custom systems for special requirements. Our system design is modular and configurable for economical and quick adaptation to a wide variety of hardware configurations. Of course Watson Industries' excellent product support and applications engineering goes along with every product.

- 
- High Stability
  - High Reliability
  - Low Cost
  - Low Noise
  - Two Year Limited Warranty
  - Engineering Support

### **Applications:**

Uses for this platform include Mobile CCTV, video and film camera stabilization, antenna stabilization, range finders, stabilized lighting, aerial photo survey and coastal surveillance. These applications are for air, sea, and ground use.



### **Watson Industries, Inc.**

3035 Melby Street Eau Claire, Wisconsin 54703 U.S.A  
Phone: +1 (715) 839-0628 Fax: +1 (715) 839-8248  
e-mail: support@watson-gyro.com Website: www.watson-gyro.com

## SMS-P233 Specifications

### Platform

Range: Bank, Elevation	±30° (Electronic)	±45° (Mechanical)
Slew Rate: Bank, Elevation	±45°/sec	
Attitude Accuracy: Static	±1.5°	
Attitude Accuracy: Dynamic	±3.0°	
Noise:	0.1° rms	
Stability:	±1.5°	Over 20 minutes

### Environmental

Temperature: Operating	-20°C to +50°C	
Temperature: Storage	-50°C to +80°C	
Vibration: Operating	0.2 g rms	100 Hz to 1 KHz
Vibration: Survival	0.5 g rms	100 Hz to 1 KHz

### Electrical

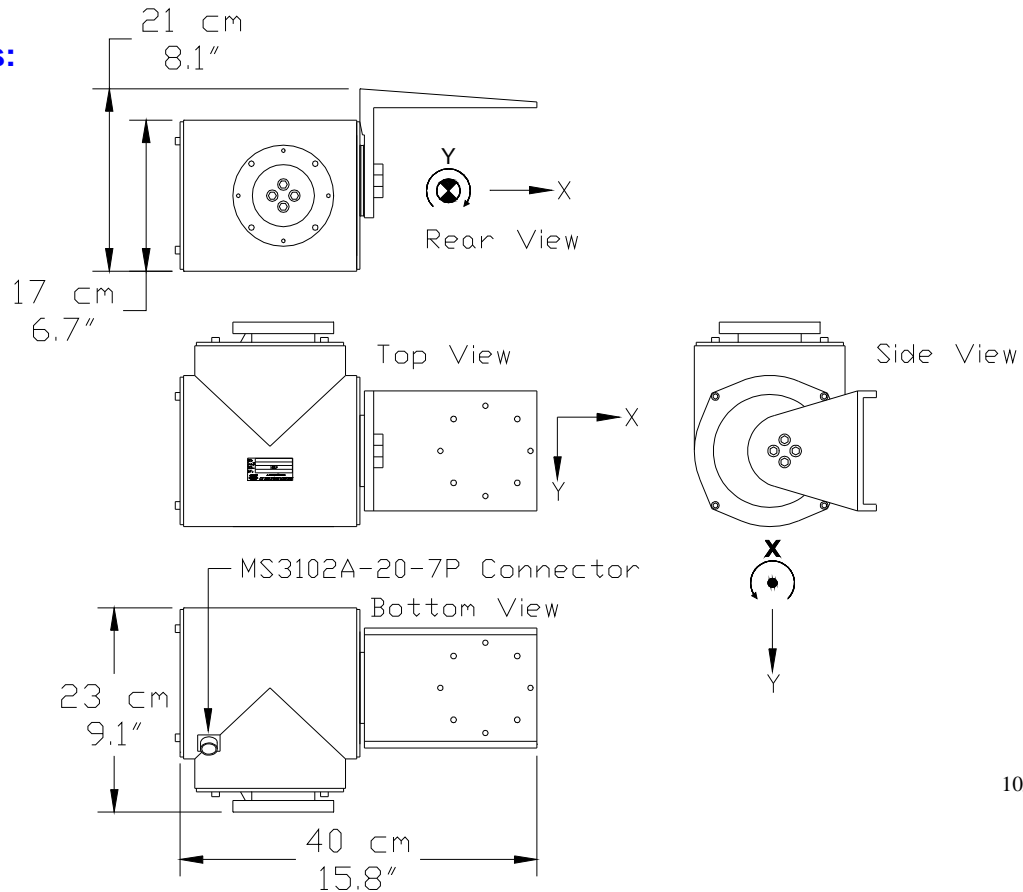
Startup Time: Operational	5 seconds	
Startup Time: Full Performance	90 seconds	
Input Power:	18 to 30 VDC	
Input Current:	2A @ 28VDC	6A Peak

### Physical

Size: Including Mounting Flanges	8.9"W x 15.8"L x 7.3"H	22.6 x 40.1 x 18.5 (cm)
Weight:	28lb (12.7Kg)	Not including payload
Connection:	MS3102A-20-7P	Mating connector included
Base Mounting Holes:	Qty 8 (4 x M6 threaded; 4 x #12 M6 clearance)	4" dia. bolt circle
Payload Mounting Holes:	Qty 8 #12 (M6) clearance	4" dia. bolt circle

- Specifications are subject to change without notice.
- This product may be subject to export restrictions. Export Classification ECCN EAR99.

### Dimensions:



10/17 DAO



## Watson Industries, Inc.

3035 Melby Street Eau Claire, Wisconsin 54703 U.S.A  
 Phone: +1 (715) 839-0628 Fax: +1 (715) 839-8248  
 e-mail: support@watson-gyro.com Website: www.watson-gyro.com